

GSAJ Self-Levelling Glide

Features

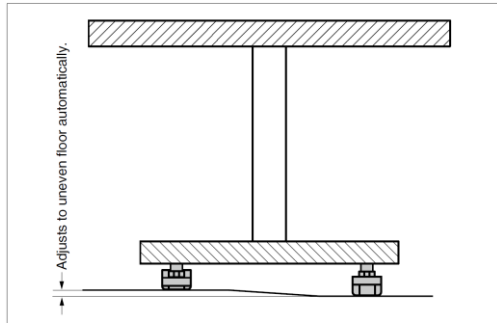
- Adjusts automatically to uneven floor
- Self adjustment up to 3 mm or 6 mm

Notes

- Operating temperature: -20°C ~ 75°C
- Special wrench **GSAJ** (sold separately) is necessary for installation
- Self-levelling glide is used for absorbing impact caused by table / equipment rattle. It is not intended to keep the table horizontal. Slight sloping may occur depending on the inclined surface of the floor

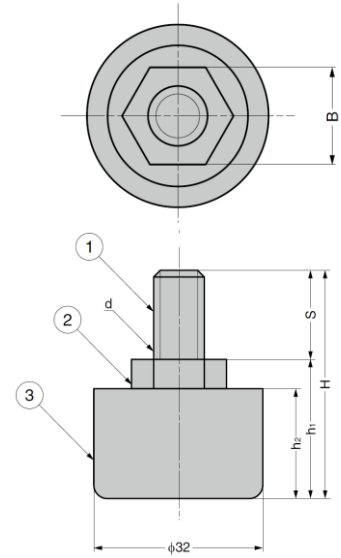
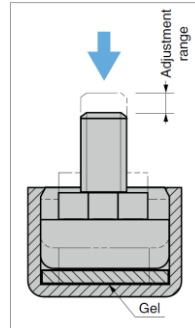


Installation



Rattle caused by uneven floor can be automatically eliminated.

Self Adjustment



No.	Part Name	Material	Finish/Colour
①	Threaded Bolt	Steel (SWCH)	Coloured Zinc Chromate/ Clear Zinc Chromate/
②	Hex Nut		
③	Cover	PE	Black

Part No.	Adjustment Range	d	H	h ₁	h ₂	S	B	Load Capacity (per piece)	Approx. Application Weight			Wrench					
									4 pcs	5 pcs	6 pcs						
GSAJ30-10N2.5	3	W5/16	33	24	19	9	14	490 N 50 kg	7 ~ 12 kg	8 ~ 15 kg	10 ~ 18 kg	GSAJ14					
GSAJ30-10N3		W3/8	37	25		12	17					GSAJ17					
GSAJ30-10M6		M6	34	24		10	10					GSAJ10					
GSAJ30-10M8		M8	33	24		9	13					GSAJ13					
GSAJ30-10M10		M10	37	26		11	17					GSAJ17					
GSAJ30-12N2.5		W5/16	33	24		9	14					GSAJ14					
GSAJ30-12N3		W3/8	37	25		12	17					GSAJ17					
GSAJ30-12M6		M6	34	24		10	10					GSAJ10					
GSAJ30-12M8		M8	33	24		9	13					GSAJ13					
GSAJ30-12M10		M10	37	26		11	17					GSAJ17					
GSAJ30-12-6N2.5	6	W5/16	42	31	24	11	14	12 ~ 24 kg 15 ~ 30 kg 18 ~ 36 kg				GSAJ14					
GSAJ30-12-6N3		W3/8				17	GSAJ17										
GSAJ30-12-6M6		M6	44	32		12	10					GSAJ10					
GSAJ30-12-6M8		M8	42	31		10	13					GSAJ13					
GSAJ30-12-6M10		M10	41	31		10	17										

Wrench (Sold Separately)



Part No.	Nominal	Thickness
GSAJ10	10	1.6
GSAJ13	13	2.0
GSAJ14	14	
GSAJ17	17	2.2